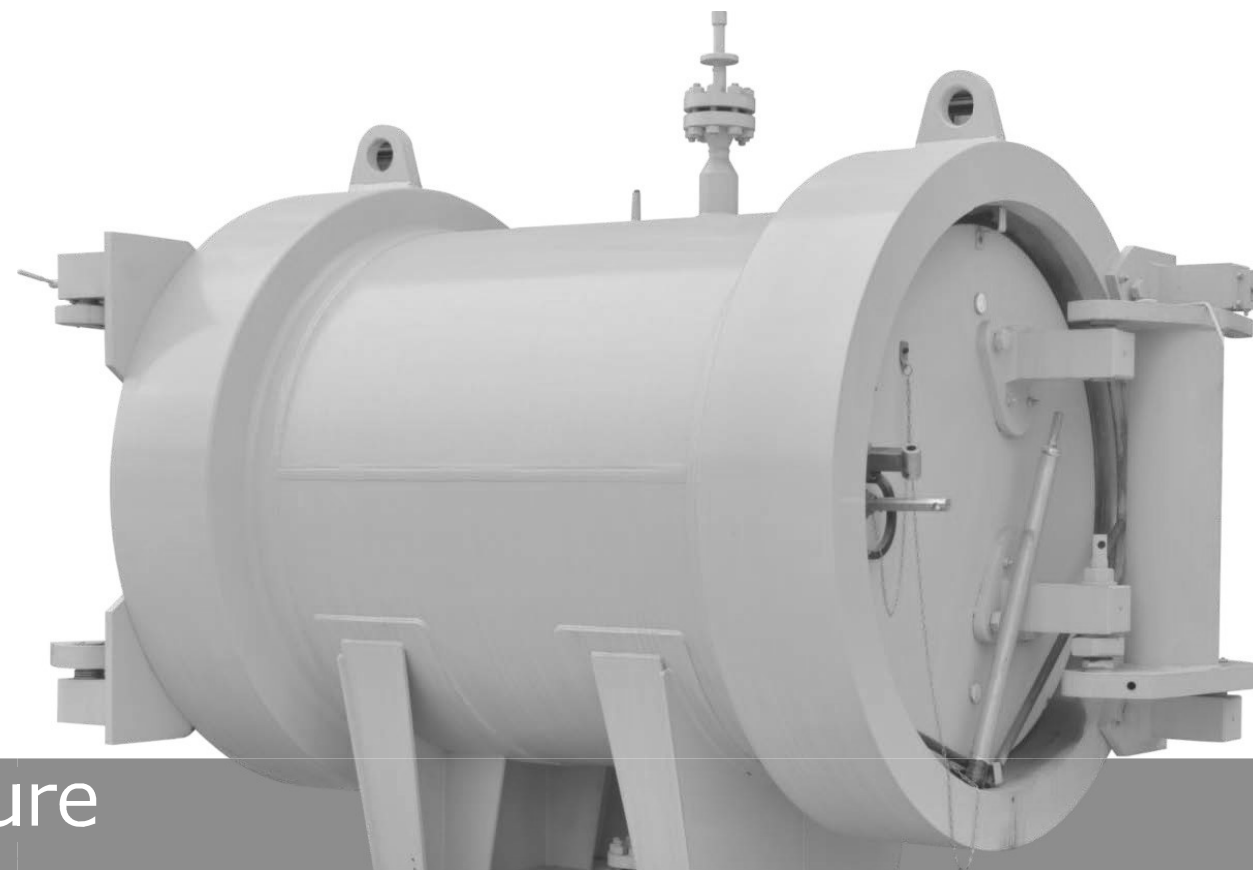


- Pigging Series Equipment

SHENYANG  
YONGYE  
Industry Co.,Ltd



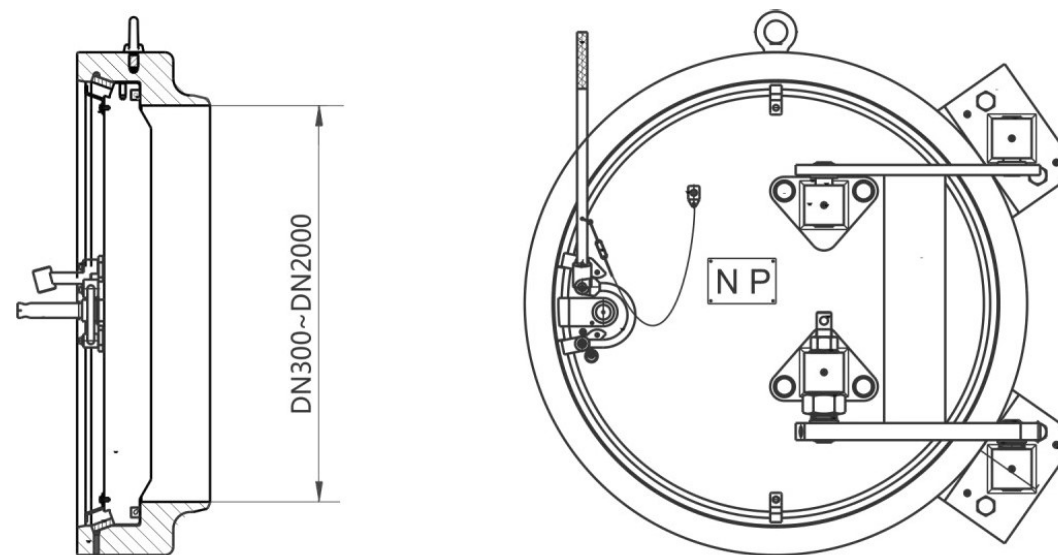
## Bandlock type quick opening closure

Bandlock type quick opening closure adopts the limited unit in analysis & design, separated as inner bandlock and outer bandlock quick opening closure. The construction of quick opening closure is divided into vertical and horizontal quick opening types.

### Technical characteristics

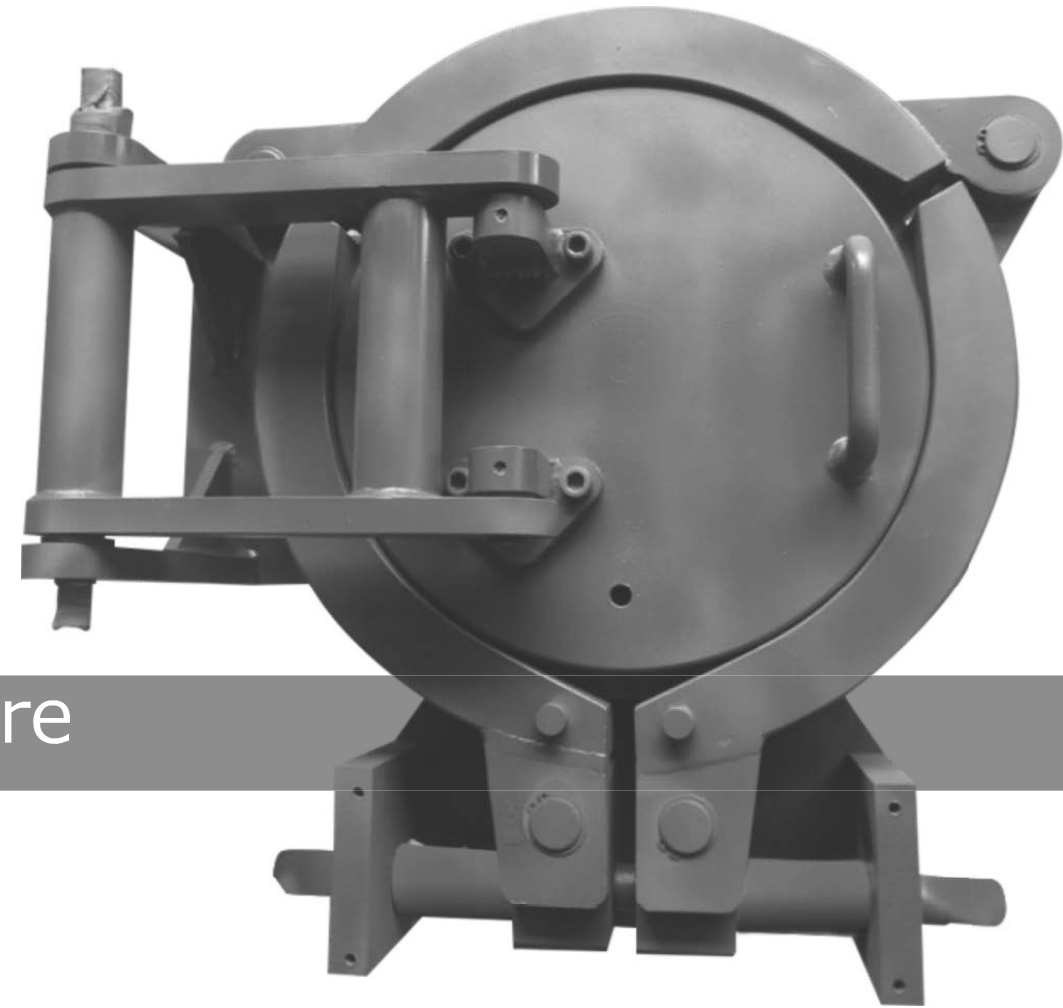
Design pressure	1.6MPa-30MPa.
Nominal diameter	DN300~DN2000
Work medium	Oil, natural gas, water and ore pulp, etc.
Opening time	Opened less than 200N within 60s
Life of sealing ring	≥ 2 years.

### Product structure



- Pigging Series Equipment

SHENYANG  
YONGYE  
Industry Co.,Ltd



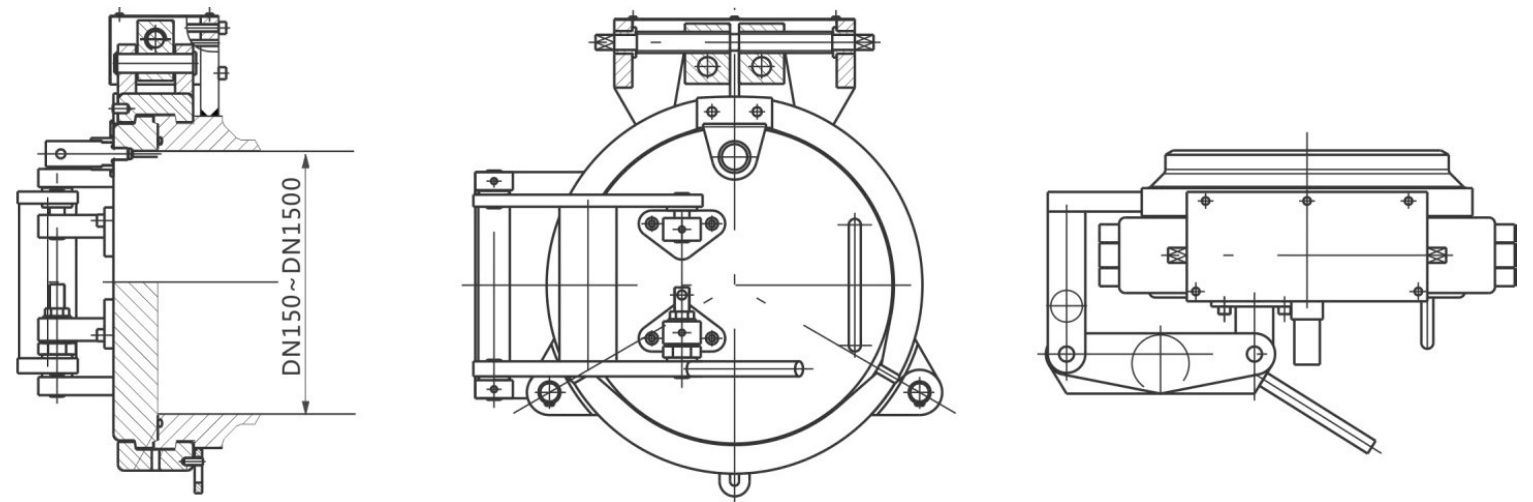
## Clamped type quick opening closure

Clamped type quick opening closure includes closure cap, clamp, pup joint, safety interlock mechanism and open/close mechanism. It can realize quick opened/closed for launcher & receiver and filter equipment.

### Technical characteristics

Design pressure	$\leq 35\text{Mpa}$
Operation temperature	$-30\sim 100^{\circ}\text{C}$
Work medium	Oil, gas, water, chemical material
Nominal diameter	DN150~DN1500

### Product structure



- Pigging Series Equipment

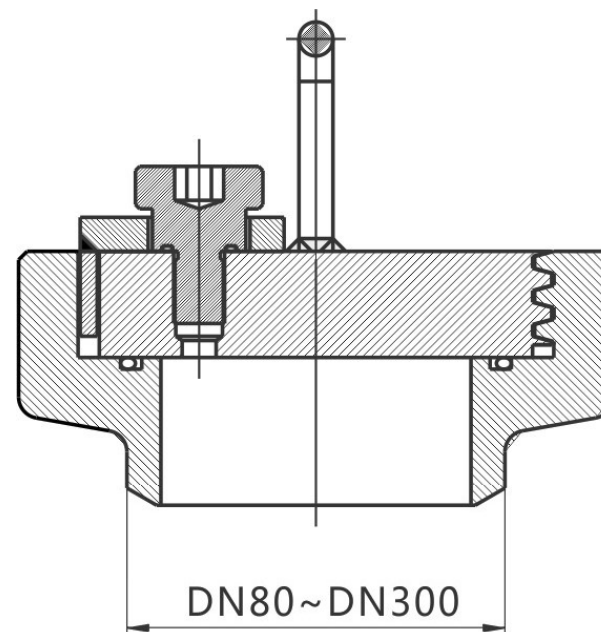
SHENYANG  
**YONGYE**  
Industry Co.,Ltd



## Inserted type quick opening closure

Inserted type quick opening closure is composed of closure cap, cylinder flange, and safety interlock mechanism.

Product structure



### Technical characteristics

Design pressure	$\leq 35\text{Mpa}$
Operation temperature	$-30\sim 100\text{ }^{\circ}\text{C}$
Work medium	Oil, gas, water, chemical feed
Nominal diameter	DN80~DN300